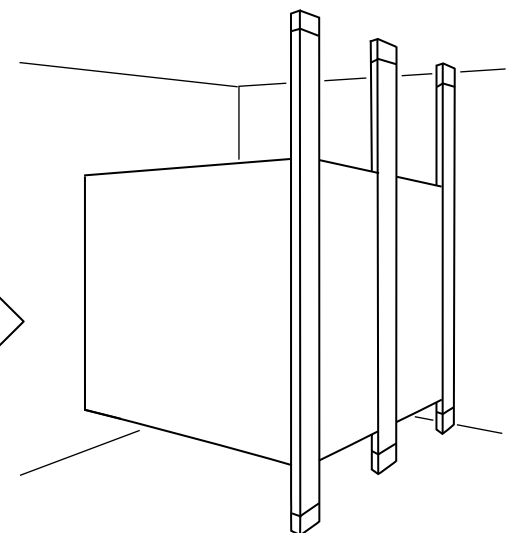
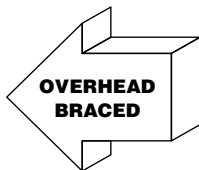
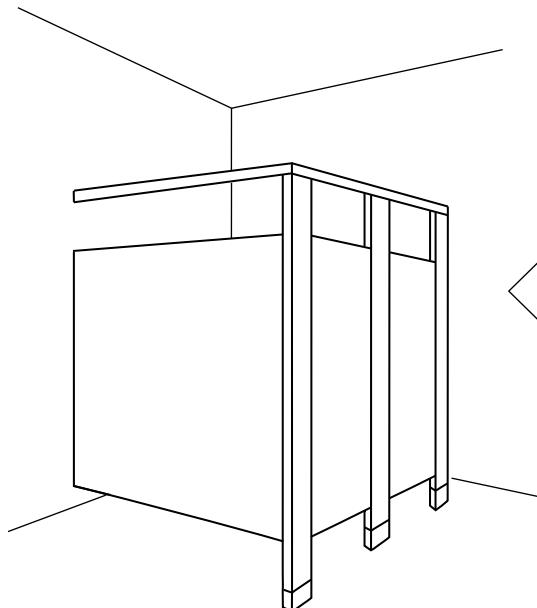
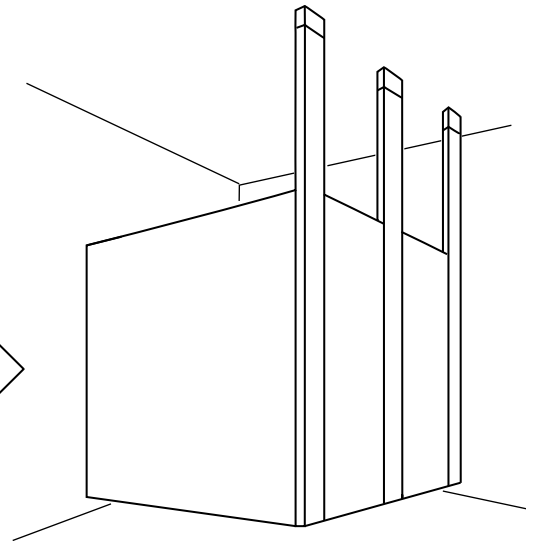
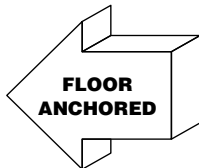
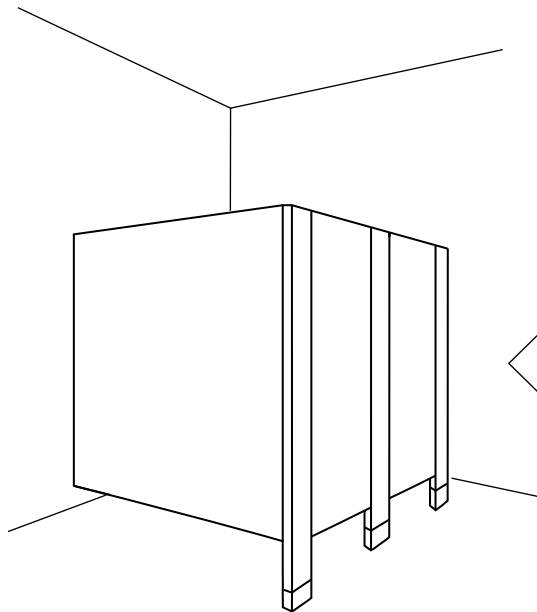


INSTALLATION INSTRUCTIONS

COMPACT LAMINATE TOILET PARTITIONS

1080 DuraLineSeries® • 1180 DuraLineSeries® Class-A Fire Rated
Includes Institutional Hardware Option .67

IMPORTANT:
Storage and Handling Information on last page.
Review these instructions thoroughly prior to
installation.



BUILDING VALUE SINCE 1906

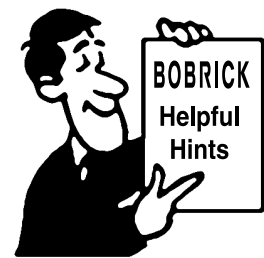
PREPARATION

PRE-INSTALLATION.

- A. Structural support in walls and floors is not furnished by Bobrick. Confirm that adequate backing is present in wall, ceilings, and floors prior to installation.
- B. This installation booklet must be used with the Bobrick layout sheets.
- C. You may verify hardware receipt by cross-referencing the last page of the layout sheets against the box contents.

INSTALLATION STEPS.

















1. Lay Out All Anchor Locations..... Page 3
2. Install All Anchors Page 4
3. Install Wall Brackets & Wall Posts Page 7
4. Position Panels..... Page 9
5. Install Stile-To-Panel Brackets..... Page 9
6. Install Stiles..... Page 11
7. Install Headrail (if applicable)..... Page 12
8. Install Inswing Doors..... Page 13
9. Install Outswing Doors Page 15
10. Install Shoes Page 17
11. Finishing and Cleanup Page 18



- A. Organize components with appropriate hardware.
- B. When calculating distances to centerlines, stiles, and doors are 3/4" (19mm) thick; panels are 1/2" (13mm) thick.
- C. Look for panel-to-stile offsets indicated on the layout sheets.
- D. Pilot hole sizes vary by application. Read all directions carefully and use a drill stop to ensure you do not drill through material in error.
- E. Doors are not pre-drilled for clothes hooks.
- F. On inswing doors the latch track projects past the edge of door to act as a doorstop.
- G. Keepers are not drilled to allow easier stile leveling.
- H. Remove debris from all drilled holes.

RECOMMENDED TOOLS.

CAUTION: Be sure to use proper safety gear.

1.  Chalk Line
2.  Plumb-bob
3.  Masking Tape (for laying out holes on floors/walls/ceilings to be drilled)
4.  Tape Measure and Pencils
5.  Center Punch
6.  Electric and/or Battery-Powered Drill
7.  Drill Bits
#19 (.166")
3/16" (4.7mm)
3/8" (9.5mm) for Concrete/Masonry
7/16" (11mm)
8.  Screwdrivers/Screwdriver Bits flathead phillips, #2 and #3
9.  Pin-in-Head Torx Screw Driver – (to install door hardware)—Supplied by Bobrick.
10.  Shims
11.  Adjustable Supports
1-1/2" to 12" (40–105mm)
12.  Level
13.  Wrench – Adjustable 9/16" (14mm) open end (2 req'd. for adjusting hex nuts on anchors)
14.  Allen Wrench – 5/64" (2mm) (to install door latch)—Supplied by Bobrick.
15.  Hack Saw
16.  Hammer

STEP 1 LAY OUT ALL ANCHOR LOCATIONS

LAYOUT EXAMPLES.

LEGEND:  Obtain Dimension from Bobrick Layout Sheet.

Fig. 1a: Floor-Anchored or Ceiling-Hung Front-Entry Corner Layout.

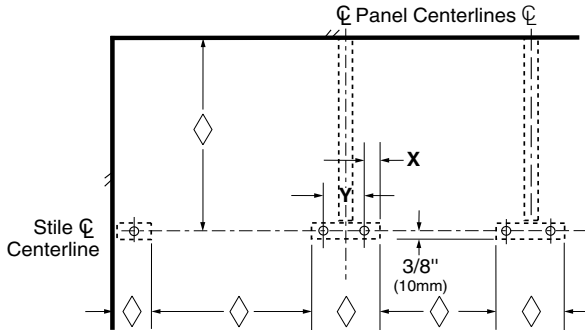
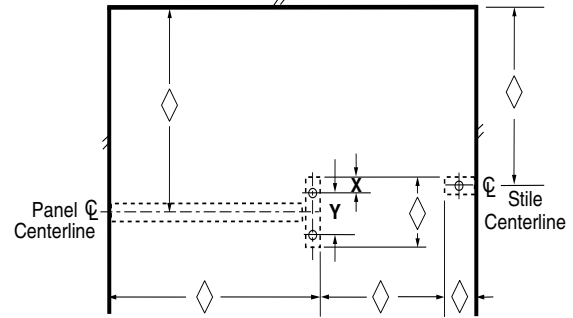
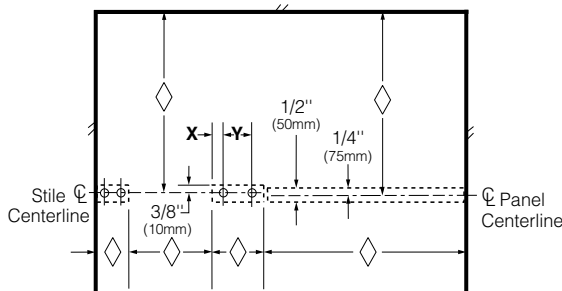


Fig. 1c: Floor-Anchored or Ceiling-Hung Alcove Closed Layout.



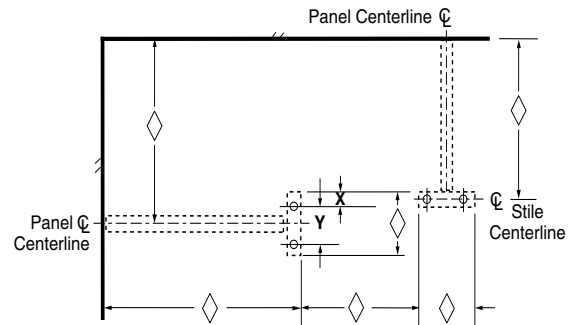
NOTE: The center stile is perpendicular to panel.

Fig. 1b: Overhead-Braced Alcove Closed Layout.



NOTE: The stiles are in-line with panel.

Fig. 1d: Floor-Anchored or Ceiling-Hung Alcove Open Layout.

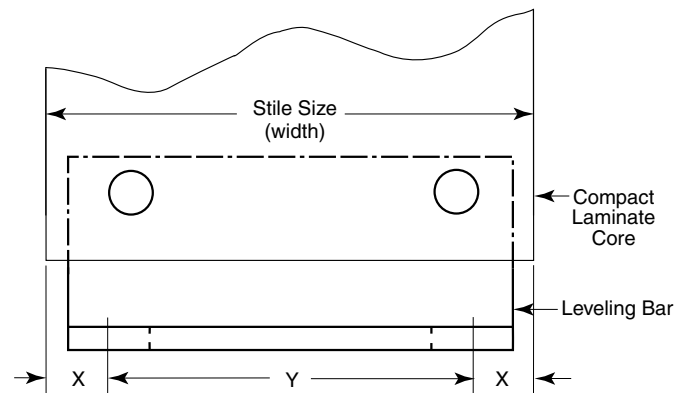


NOTE: The center stile is perpendicular to panel.

- Refer to Bobrick layout sheets for component locations on your specific application.
- From back wall, measure and mark the location of the stile centerline. Stile centerline = 3/8" (10mm) + panel length + gaps specified on layout sheets.
- From side wall at centerline of stile, measure dimensions for floor or ceiling anchors according to layout sheet. Refer to drilling table below for center-to-center distances between anchors. Centerline of floor anchor from edge of stile is 5/8" (16mm); dimension on 3" (8cm) stile is 1-1/2" (38mm).

DRILLING TABLE FOR DRILLING FLOOR OR CEILING ANCHORS			
Stile Size (width)	No. of Holes	X Dim.	Y Dim.
3" (8cm)	1	1 1/2" (38mm)	—
4" (10cm)	2	5/8" (16mm)	2 3/4" (7cm)
5" (13cm)	2	5/8" (16mm)	3 3/4" (10cm)
6" (15cm)	2	5/8" (16mm)	4 3/4" (12cm)
7" (18cm)	2	5/8" (16mm)	5 3/4" (16cm)
8" (20cm)	2	5/8" (16mm)	6 3/4" (17cm)
10" (25cm)	2	5/8" (16mm)	8 3/4" (22cm)
12" (30cm)	2	5/8" (16mm)	10 3/4" (27cm)
16" (41cm)	2	5/8" (16mm)	14 3/4" (38cm)
18" (46cm)	2	5/8" (16mm)	16 3/4" (43cm)
20" (51cm)	2	5/8" (16mm)	18 3/4" (48cm)
24" (61cm)	2	5/8" (16mm)	22 3/4" (58cm)

Fig. 1e: Detail of Typical Stile



NOTE: 16", 18", 20", 24" (41, 46, 51, 61cm) stiles have 2 leveling bars. Use the 2 outside slots for the 2 anchors.

STEP 2 INSTALL FLOOR ANCHORS

Fig. 2a: Finished Detail of Floor Anchor.

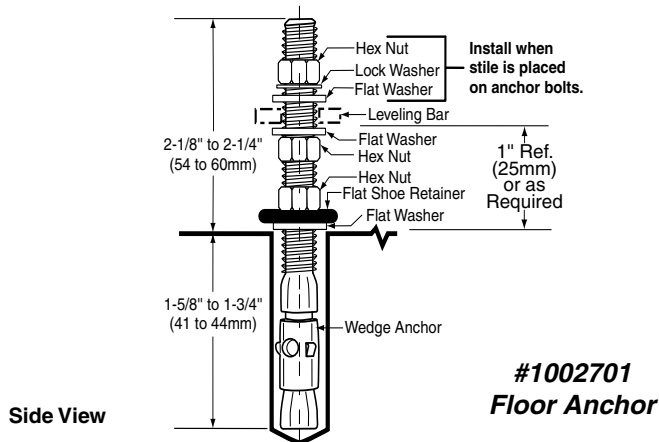
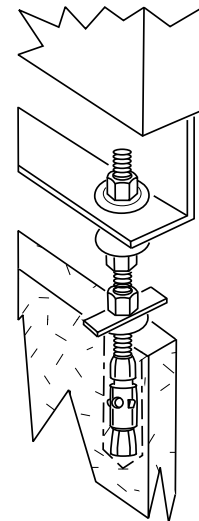


Fig. 2b: Floor Anchor Attached to Stile. (3-Dimensional View)



PARTS NEEDED:

#1002701 Floor Anchor Packet
(includes: 3 Hex Nuts, 3 Flat Washers, Wedge Anchor, Lock Washer, Flat Shoe Retainer)

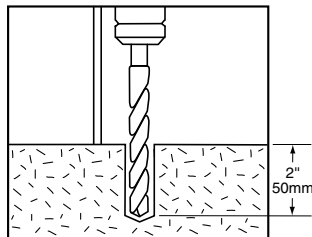
TOOLS NEEDED:

Hammer
Drill
3/8" (9.5mm) Concrete/Masonry Bit
Wrench (Adjustable or 9/16" open end)

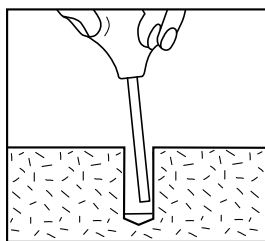
HINTS/NOTES:

3/8" x 2" hole needed to install #1002701 Floor Anchor. Use concrete/masonry drill bit.
Floor Anchors for wood floors are available upon request.

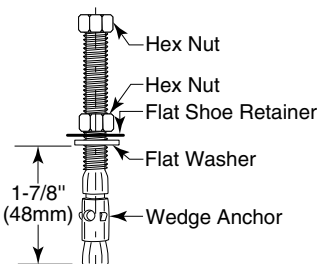
- A. Drill a 3/8" (9.5mm) hole to 2" (50mm) minimum depth.



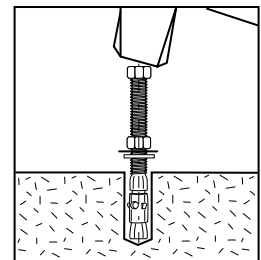
- B. Remove all loose material/debris from hole.



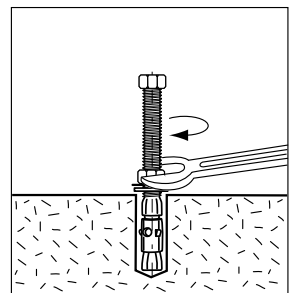
- C. Add Flat Washer, Flat Shoe Retainer, Hex Nut to Wedge Anchor so that Flat Washer is 1-7/8" (48mm) from the bottom of the anchor to ensure proper installation depth. Thread 2nd Hex Nut loosely to top of Anchor to prevent stripping or damaging threads during installation.



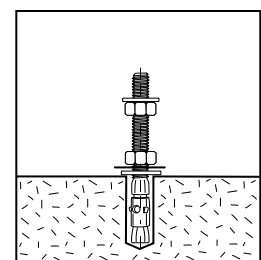
- D. Insert Anchor into hole with threaded end up. Use hammer to drive the Anchor into hole until Flat Washer is flush with concrete surface (*depth set in STEP C*).



- E. Use Wrench to tighten Hex Nut until anchor is firmly set (*2-4 full turns past finger tight position*). Anchor bolt will move up approx. 1/16" (1.6mm) for every full turn of Hex Nut.



- F. Spin down top Hex Nut. Add Flat Washer.



NOTE: Do NOT add 3rd Hex Nut, Lock Washer, and 3rd Flat Washer until stiles are attached to Floor Anchor.

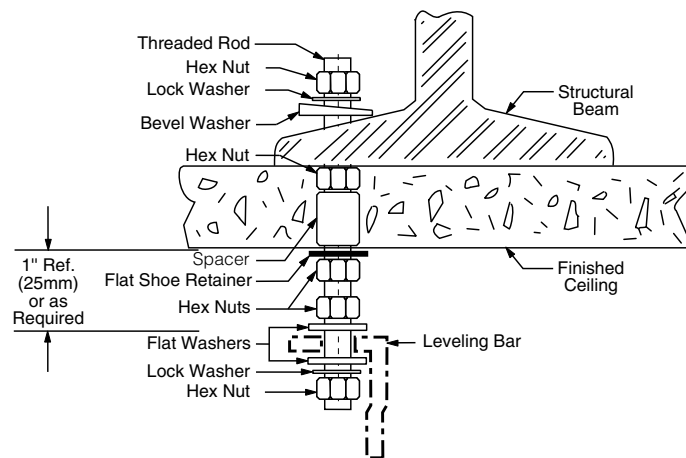
STEP 2 INSTALL CEILING ANCHORS

CEILING ANCHORS.

NOTE: Ceiling anchors are to be installed before finished ceiling is applied. All structural framing is to be furnished by others. For Bobrick recommendations, refer to Bobrick Form No. TB-32.

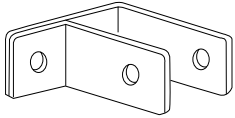
- A. Drill 7/16" (11mm) diameter hole through structural beam. Insert threaded rod through hole in beam. Rod is furnished standard 6" (150mm) length. Longer rods should be purchased locally if required.
- B. Drop a bevel washer and lock washer over rod. Screw on one hex nut.
- C. Install second hex nut against bottom of beam and tighten.
- D. Install spacer, shoe retainer, and a third hex nut. Make sure shoe retainer is in proper position to accept shoe (see Fig. 2c or 10a for proper shoe retainer position).
- E. Install remaining flat washers (2), lock washer (1), and hex nuts (2), as shown in Fig. 2c.
- F. Repeat process for each ceiling anchor.

Fig. 2c: Detail of Ceiling Anchor.



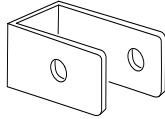
BRACKETS AND SCREWS

F-bracket



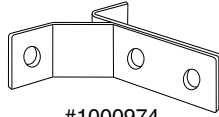
#1000975
Internal Panel to Wall

U-bracket



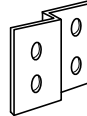
#1000972
Internal Panel to Stile

Y-bracket



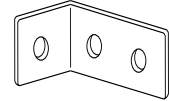
#1000974
External Panel or Stile
to Wall or Panel

Alcove bracket



#1000282
Panel-In-line with Stile

L-bracket



#1000351
External Panel to Stile



#1002499
#12 x 7/16" Pin-in-Head Torx Screw
Panel/Stile Screw and Channel to Stile Screw



#1002495
#12 x 2" Pin-in-Head Torx Screw
Wall Screw

Pilot Hole Sizes—

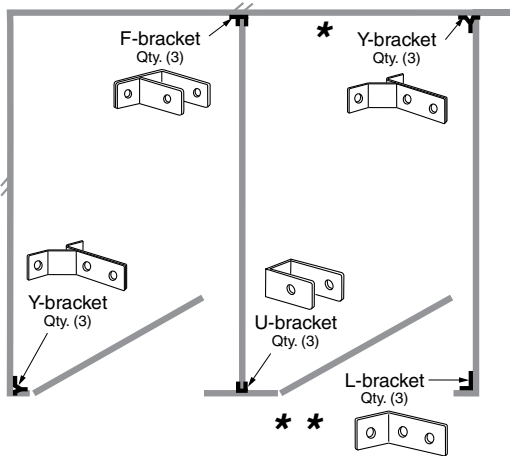
- 3/16" x 7/16" (4.7 x 11mm)
- For attachment of brackets to panels and stiles.
- Do not through-drill.
- #19 (.166) x 2" (50mm)
- For attachment of all wall brackets to stud backing.

NOTE: Adequate wall backing is required. High-quality drill bit is suggested for drilling into Compact Laminate material.

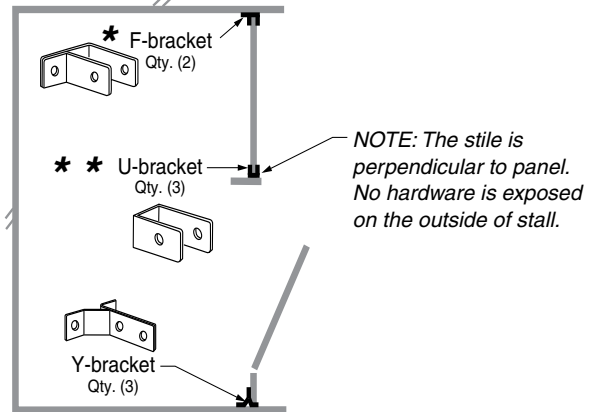
EXAMPLE BRACKET APPLICATIONS.

- * One asterik shows Y- or F-brackets
- * * Two asterik shows L- or U-brackets

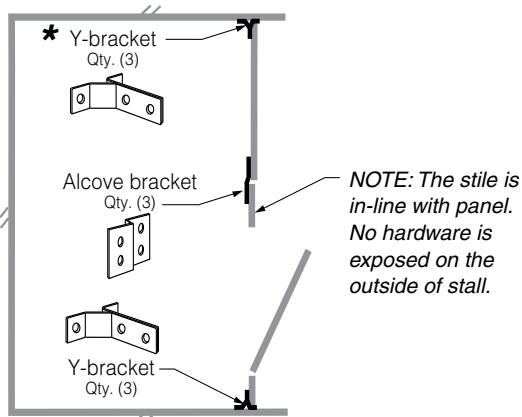
Front-Entry Corner Layout.



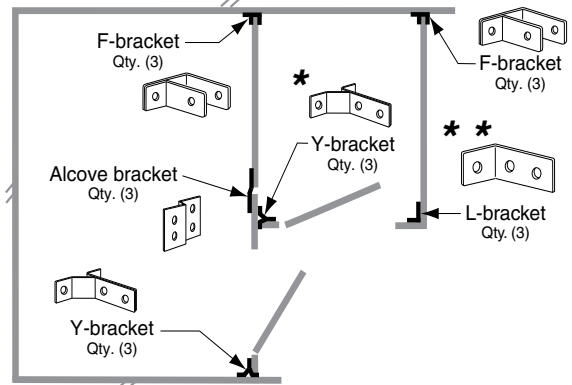
Floor-Anchored or Ceiling-Hung Alcove Closed Layout.



Overhead-Braced Alcove Closed Layout.

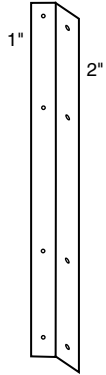


Overhead-Braced Alcove Open Layout and Adjoining Front-Entry Stall.



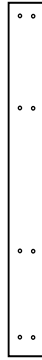
BRACKETS AND SCREWS

Angle Bracket



#1001371
2 each for:
Stile-to-Wall
Panel-to-Wall

Strip Bracket



#1001375
Panel In-Line with Stile

U-Channel Bracket



#1001368
Panel-to-Stile
Panel-to-Wall (optional)



#1002499
#12 x 7/16" Pin-in-Head Torx Screw
Panel/Stile Screw and Channel to Stile Screw



#1002495
#12 x 2" Pin-in-Head Torx Screw
Wall Screw

Pilot Hole Sizes—

3/16" x 7/16" (4.7 x 11mm)

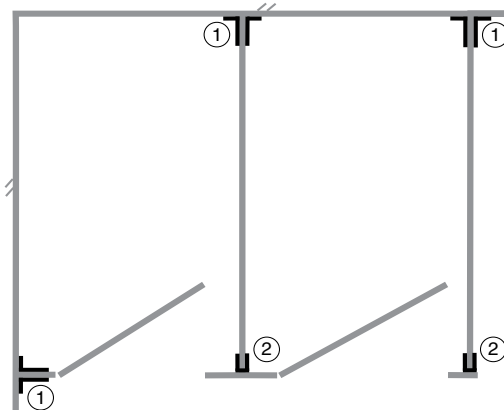
#19 (.166) x 2" (4.2 x 50mm)

NOTE: Adequate wall backing is required. High-quality drill bit is suggested for drilling into Compact Laminate material.

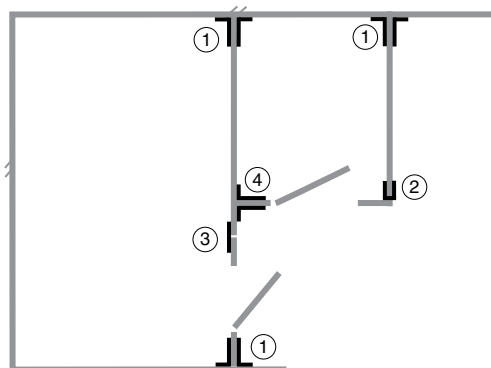
EXAMPLE BRACKET APPLICATIONS.

- ① 2 — #1001371 Angle Bracket
8 — #1002495 Wall Screw
8 — #1002499 Panel/Stile Screw
- ② 1 — #1001368 U-Channel Bracket
12 — #1002499 Panel Screw
- ③ 1 — #1001375 Strip Bracket
8 — #1002499 Stile/Panel Screw
- ④ 2 — #1001371 Angle Bracket
16 — #1002499 Stile/Panel Screw

Front-Entry Corner Layout.



Alcove Closed Layout and Adjoining Front-Entry Stall.



INSTITUTIONAL HARDWARE

STEP 3 INSTALL WALL BRACKETS AND WALL POSTS

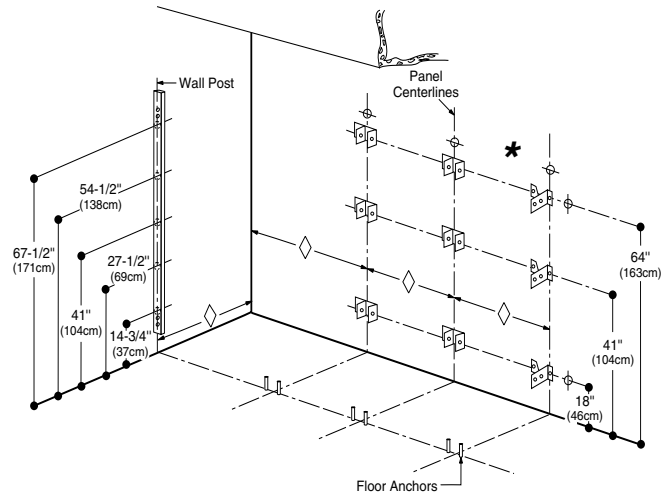
- Measure and mark the locations of centerlines for all the stiles and panels on walls.
- Using the wall brackets as templates, measure and mark the location of all mounting holes plumb, according to dimensions shown in illustrations (Fig. 3a, 3b, 3c).
- Use #19 drill bit for 2" (50mm) deep pilot holes into adequate wall backing.
- Secure wall brackets with #1002495 screws.

⊕ These mounting points require wall backing.

◇ Obtain dimension from Bobrick Layout Sheet

* Use Y-bracket or F-bracket (Y-bracket shown)

Fig. 3a: Front-Entry Corner Layout with Wall Post



WALL POST #1002245

- Determine the location and orientation of the 1" x 1-1/2" (25 x 40mm) stainless steel wall post being installed. Outside edge of wall post to be in-line with outside edge of keeping stile. The wall must have adequate backing at mounting location to support door hung in place.
- Install wall post at given height and fasten, plumb in both directions to wall with (5) wall screws provided. Install (2) post end caps and (5) mounting hole plugs.
- Attach door with through bolts provided as you install door(s) on pages 13-16.

Fig. 3b: Overhead-Braced or Floor-to-Ceiling Anchored Alcove Closed Layout.

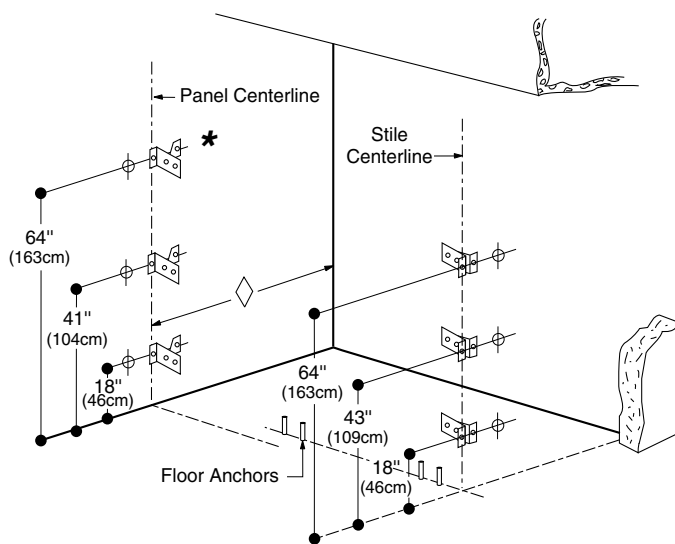
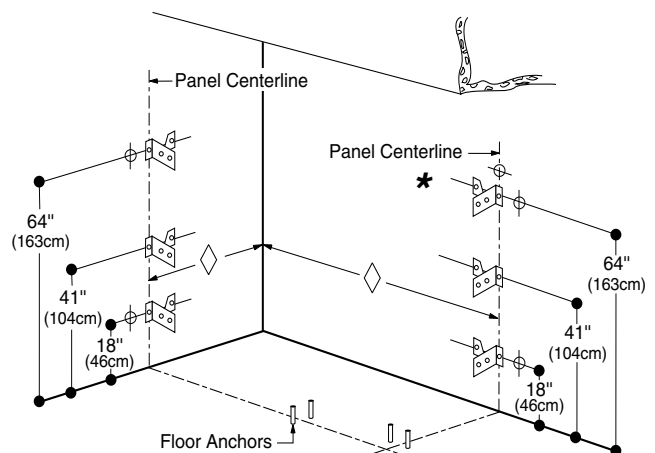


Fig. 3c: Floor-Anchored or Ceiling-Hung Alcove Open Layout.



COMMERCIAL HARDWARE

CAUTION: Panel centerline is not always on the stile centerline. Refer to Bobrick Layout Sheets for panel offsets.

STEP 3 INSTALL WALL BRACKETS & WALL POST

- Measure and mark the locations of centerlines for all the stiles and panels on walls.
 - Using the wall brackets as templates, place bracket 12-1/8" (31cm) above finished floor. Measure and mark the location of all mounting holes plumb, 3/4" (19mm) from panel center line; 7/8" (22mm) from stile centerline. (See fig. 3a).
- Note: Orient bracket so hole pattern is staggered.
- Use #19 drill bit (4.2mm) for 2" (50mm) deep pilot holes into adequate wall backing.
 - Secure wall brackets with #1002495 screws.

- ⊕ These mounting points require wall backing.
- ◇ Obtain dimension from Bobrick Layout Sheet

CAUTION: Panel centerline is not always on the stile centerline. Refer to Bobrick Layout Sheets for panel offsets.

WALL POST #1002346

- Determine the location and orientation of the 1" x 1-1/2" (25 x 40mm) stainless steel wall post being installed. Outside edge of wall post to be in-line with outside edge of keeping stile. The wall must have adequate backing at mounting location to support door hung in place.
- Install wall post at given height and fasten, plumb in both directions to wall with (5) wall screws provided. Install (2) post end caps and (5) mounting hole plugs.
- Attach door with through bolts provided as you install door(s) on pages 13-16.

Fig. 3a: Front-Entry Corner Layout with Wall Post

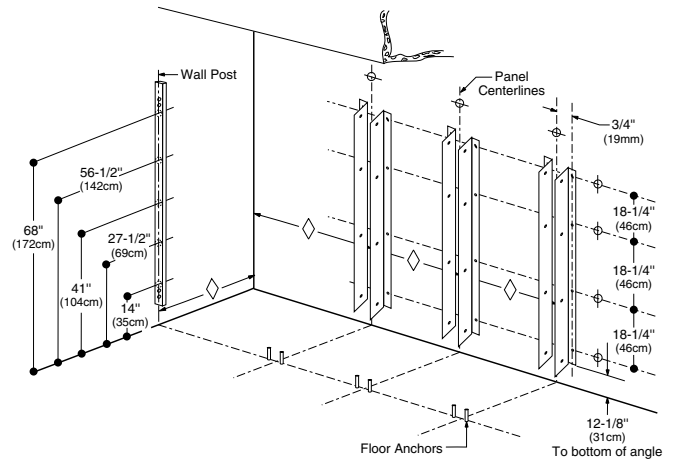
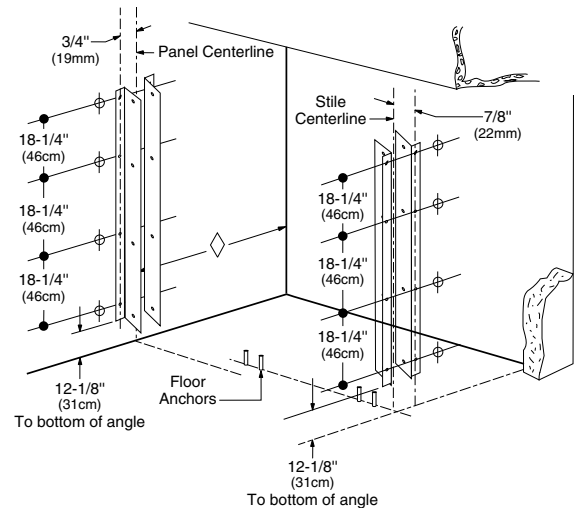


Fig. 3b: Overhead-Braced or Floor-to-Ceiling Anchored Alcove Closed Layout.

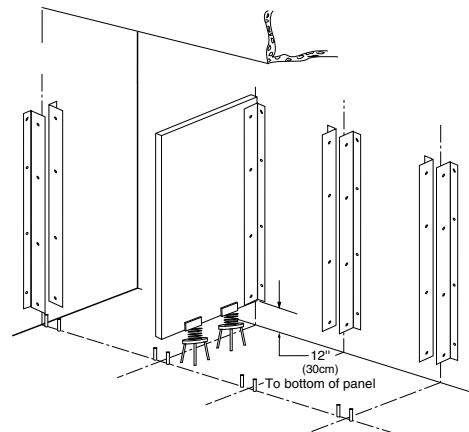


INSTITUTIONAL HARDWARE

STEP 4 POSITION PANELS

- Place adjustable supports in position for each panel to hold them 12" (30cm) above the floor.
- Place panels on the supports and into their respective wall brackets. *Do not secure panels to wall brackets at this time.*

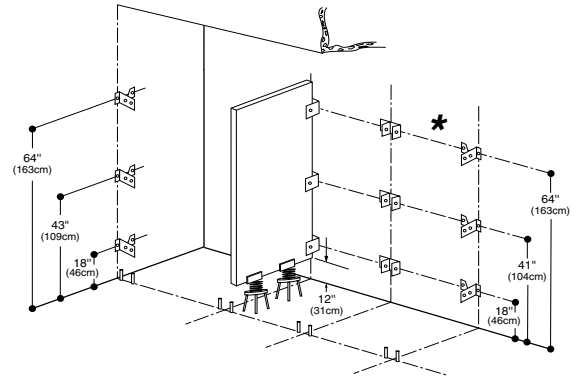
Fig. 4: Panel and Adjustable Supports.



STEP 4 POSITION PANELS

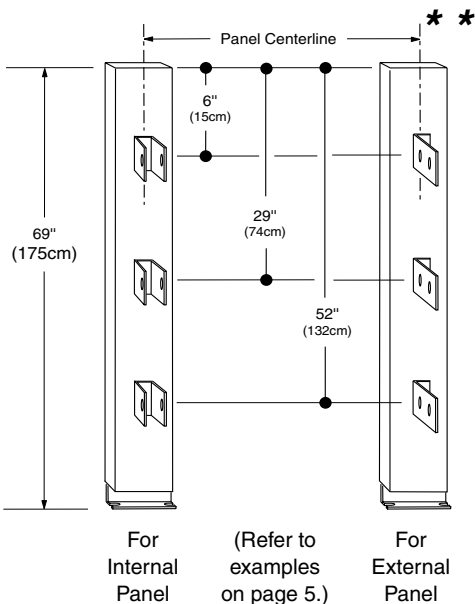
1. Place adjustable supports in position for each panel to hold them 12" (305mm) above the floor.
2. Place panels on the supports and into their respective wall brackets. *Do not secure panels to wall brackets at this time.*

Fig. 4: Panel and Adjustable Supports.



STEP 5 INSTALL STILE-TO-PANEL BRACKETS

Fig. 5a: Floor-Anchored or Ceiling-Hung Stiles.



CAUTION: Panel centerline is not always on the stile centerline. Refer to Bobrick Layout Sheets for panel offsets.

- A. Measure and mark the centerlines for three (3) U- or L-brackets per stile.
- B. Using U- or L-bracket as a template, mark the location of all mounting holes.
- C. For U- or L-brackets attached to stiles, use a 3/16" high-quality drill bit (4.7mm) for 7/16" (11mm) deep pilot holes.

Caution: Do Not Drill Through the Stile

- D. Secure U- or L-brackets with #1002499 screws.

- * Use Y-bracket or F-bracket (Y-bracket shown)
- ** Use L-bracket or U-bracket (L-bracket shown)

Fig. 5b: Overhead-Braced Stiles.

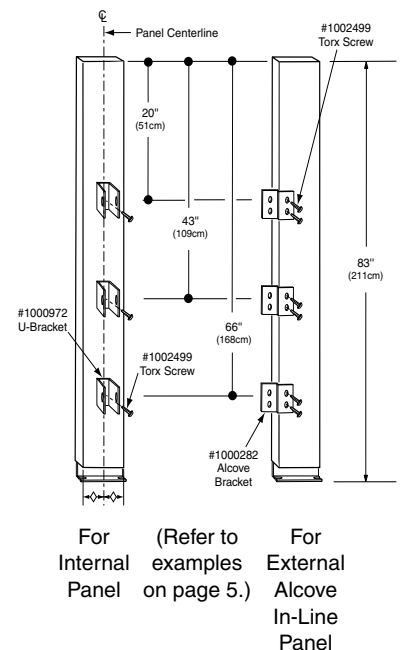
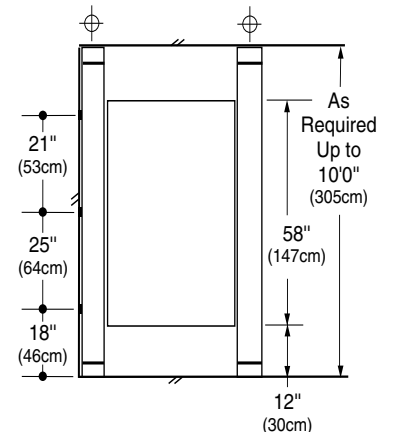


Fig. 5c: Floor-to-Ceiling Anchored.



COMMERCIAL HARDWARE

STEP 5 INSTALL STILE-TO-PANEL BRACKETS

CAUTION: Panel centerline is not always on the stile centerline. Refer to Bobrick Layout Sheets for panel offsets.

- Measure and mark the centerlines for continuous U-channel bracket per stile. Using U-channel bracket as a template, mark the location of all mounting holes.
- For U-channel brackets attached to stiles, use a high-quality drill bit for 3/16" x 7/16" deep (4.7 x 11mm) pilot holes. Secure U-channel bracket to stile with #1002499 screws.
- For strip bracket, mark the location of all mounting holes 5/8" (16mm) from edge of stile following locations shown in diagram. Use a 3/16" x 7/16" deep (4.7 x 11mm) pilot hole in stile and panel. Secure strip bracket to panel and stile with #1002499 screws. **Do Not Drill Through.**

⊕ *These mounting points require adequate backing.*

Fig. 5a: Overhead-Braced Stiles.

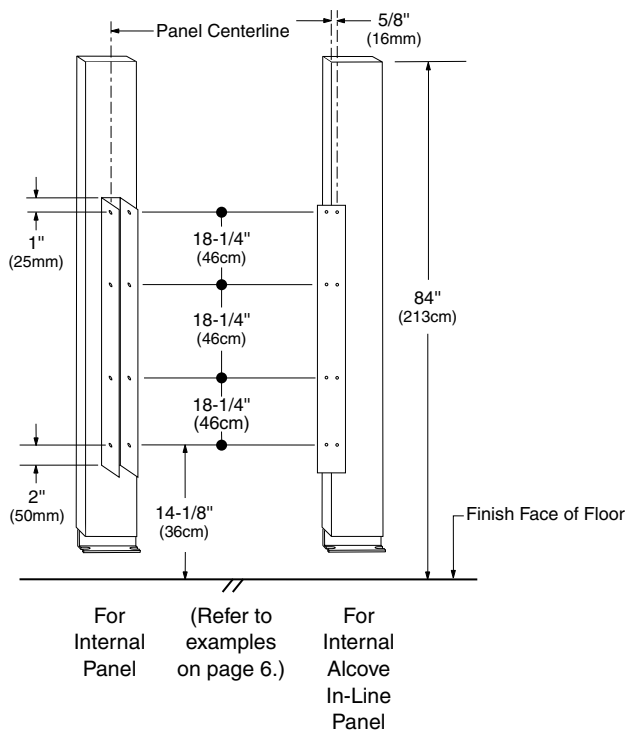
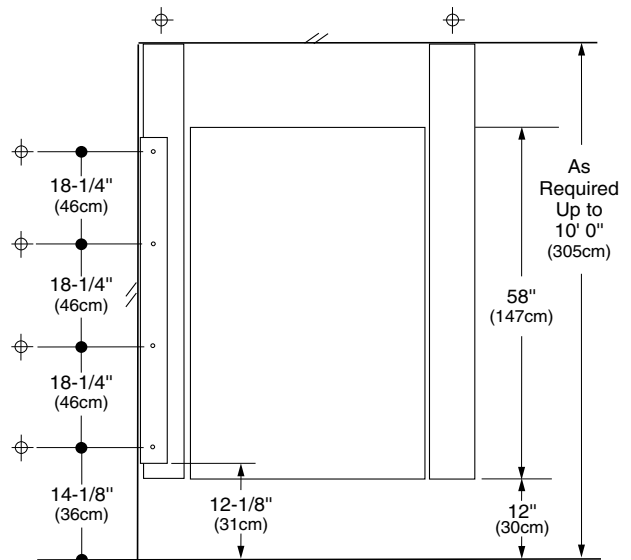


Fig. 5b: Ceiling Anchored.



INSTITUTIONAL HARDWARE

STEP 6 INSTALL STILES AND SET DOOR OPENINGS

- A. Place the stiles onto the threaded rods of anchors. Add a flat washer, lock washer, and a third hex nut to each threaded rod of floor anchors (these should already be in place on ceiling anchors—refer back to Fig. 2a). *Do not tighten hex nuts at this time.*
- B. Ensure edge of panel is touching screw heads in brackets on stiles. Using brackets as templates, drill $3/16"$ x $7/16"$ (4.7 x 11 mm) pilot holes in panel.
- C. Fasten brackets to panels with #1002499 screws.
- D. Use level to plumb stiles. Place shims between panels and wall.
- E. Set door openings to be square, plumb and true per Bobrick layout sheet.
- F. Tighten hex nuts on stile anchoring system.
- G. Secure panels to wall brackets using #1002499 screws.

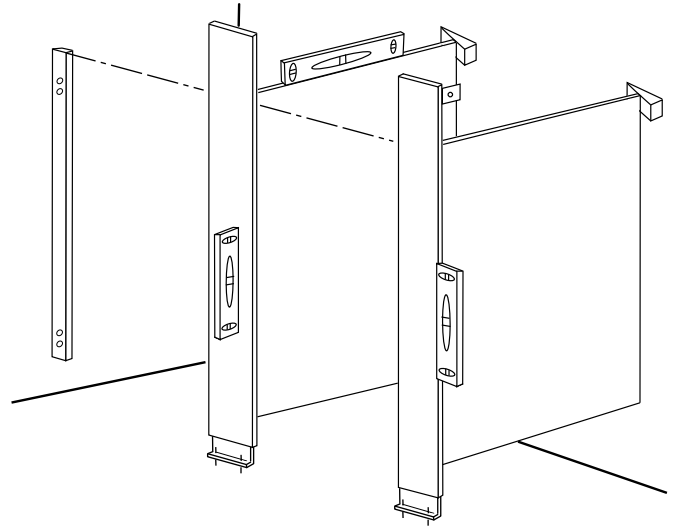


Fig. 6b: Floor-Anchored Installation.

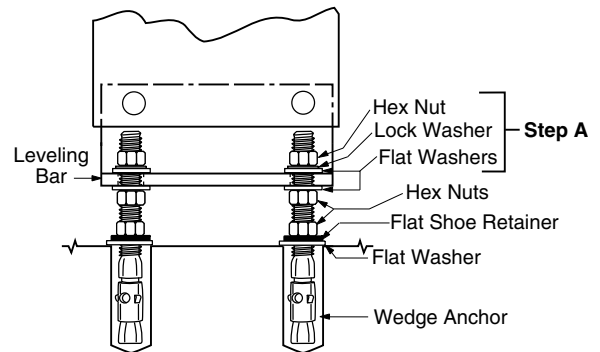
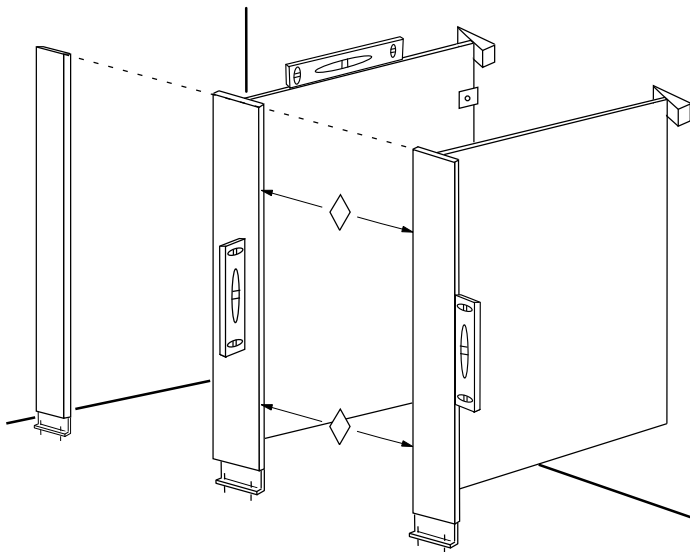
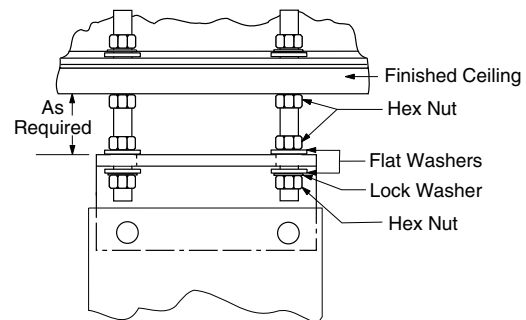
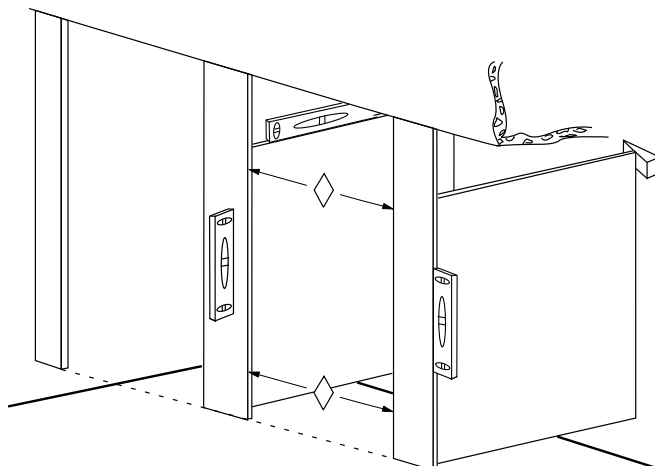


Fig. 6c: Ceiling-Hung Installation.

◇ Obtain dimension from Bobrick Layout Sheet



STEP 7 INSTALL HEADRAIL (IF APPLICABLE)

Note: Bobrick provides headrail in 84" part #1002385 (213cm) long sections. Headrail seams must be located over stiles.

- A. Measure wall-to-wall dimension less 1/4" (6mm). If it is a corner application, measure from wall to outside edge of stile less 1/8" (3mm).
- B. Place headrail over stile.
- C. For corner and alcove layouts, cut return headrail. Measure from the inside edge of front headrail to the back wall (See Fig. 7a and 7b).
- D. Using the headrail bracket as a template, mark the location for mounting holes in walls and headrails.
- E. Drill 3/16" x 3/4" (4.7 x 19mm) pilot holes into front headrail and stiles; then, at wall locations, drill #19 (.166) x 2" (50mm) pilot holes into adequate wall backing.
- F. Fasten headrail bracket to front headrail with #1002499 screws and to wall with #1002495 screws.
- G. Connect the return headrail to front headrail with headrail bracket and four (4) #1002499 screws.
- H. For corner layouts, install #1000978 end cap to finish

the corner. Using the end cap as a template, mark and drill pilot hole then secure end cap with one (1) #1002499 screw.

- I. Fasten front headrail to stile by drilling pilot hole, then secure to stile with one (1) #1002499 screw.

For Shower/Dressing Compartments (Installing Optional Curtain Track)

- A. Cut #1000375 Curtain Track to fit between stiles and fit inside headrail.
- B. Install #1000833 Curtain Carrier Hooks from #1000862 Curtain Carrier Packet into Curtain Track.
- C. Hold Curtain Track in place inside Headrail. Drill #25 (3.8mm) diameter hole through Curtain Track and Headrail.
- D. Fasten Curtain Track to Headrail using Curtain Track Screws provided in #1000862 Packet
- E. Install shower curtain (*not included*).

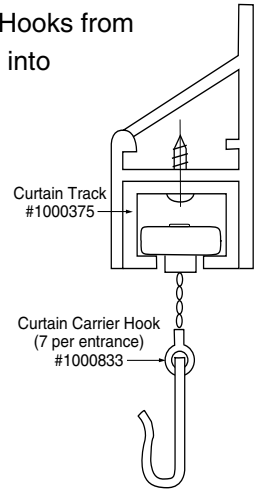


Fig. 7a: Headrail Installation Hardware.
Corner Configuration

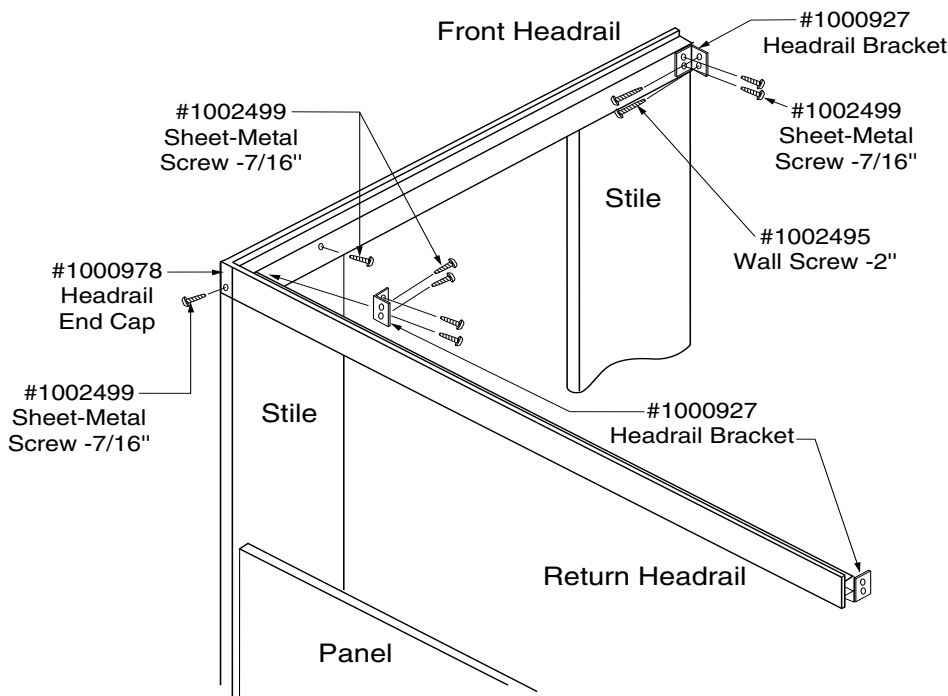


Fig. 7b: Alcove Configuration.

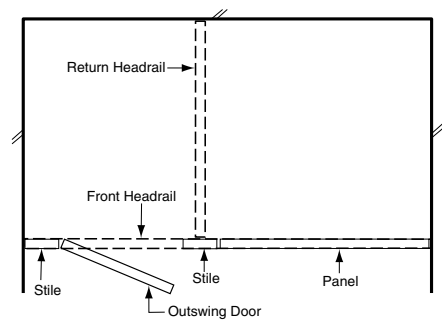
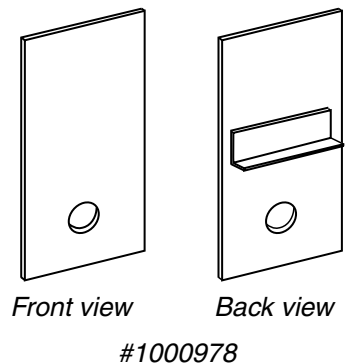
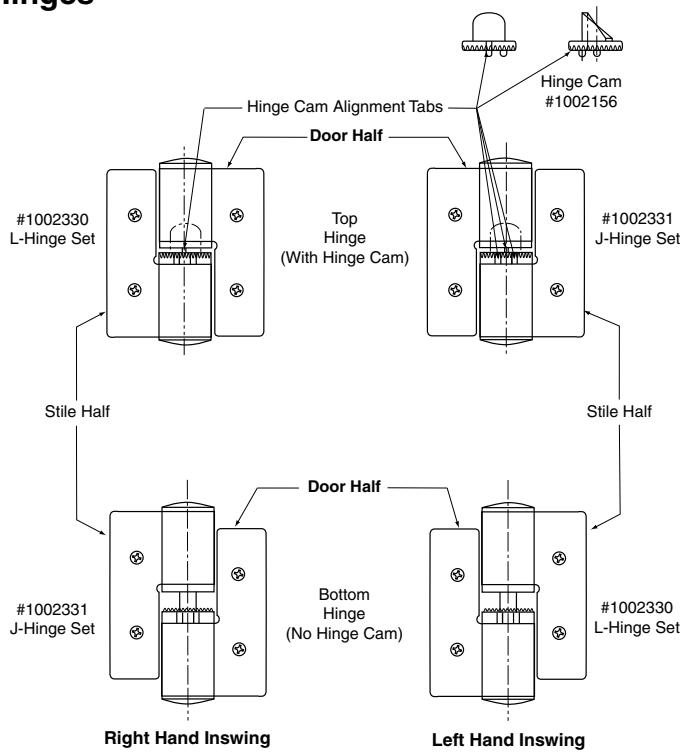


Fig. 7c: Detail of End Cap.



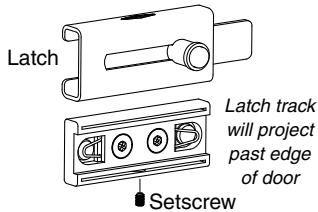
STEP 8 INSTALL INSWING DOORS

Hinges



#1002491
1/4-20 x 1/2" (M6-1 x 13mm)
Pin-in-Head Torx Screw

Latch Packet



#1040-42
Latch Packet

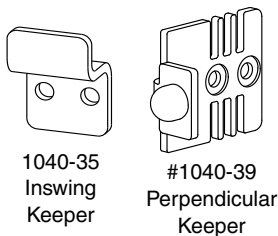


#1000077
1/4-20 x 1"
Flat-Head Latch Screw



#1000900 Packet
(5/64" Allen Wrench for
Setscrew to Latch Track)

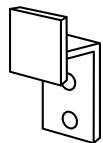
Keepers



1040-35
Inswing
Keeper

#1040-39
Perpendicular
Keeper

Clothes Hook



#1000869
Hook



#1002499
#12 x 7/16"
Pin-in-Head Torx Screw
Pilot Hole 3/16" x 7/16"
(4.7 x 11mm)

DOOR HARDWARE INSTALLATION.

Hinge.

- Using hinge diagram at left, identify the upper and lower hinge set for right hand or left hand installation. Locate cam for upper hinge, #1002156.
- Separate hinge sets and fasten the (2) halves that have plastic bushings with "teeth" and cam alignment tabs onto stile using driver and #1002491 (1/4-20 x 1/2") screws. Refer to diagram to ensure "J" and "L" halves are located properly.
- Fasten upper hinge half to door.
- Insert (1) hinge pin and (1) #1002156 plastic cam on the upper stile hinge half.
- Lift door and position onto upper stile hinge half. Door should be hanging securely on upper hinge.
- Insert remaining hinge pin in lower door and mount hinge half to door.

To Increase or Decrease Opening of Door.

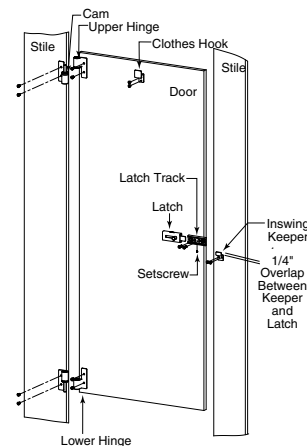
- Alignment tabs have been formed into the cam and plastic hinge bushing.
- Lift door to limit of upward travel (approximately 1/2"). While door is lifted, raise cam above bottom bushing and rotate so alignment tabs meet. Ensure upper hinge is set to same alignment tab.
- To set door in open position, rotate cams toward door opening direction.
- To set door in closed position, rotate cam toward door closing direction.
- Door may not function properly if cam and bushing tabs on hinge are not aligned properly.
- When the cam has been set at the desired free resting position, "either closed or open" the top of the affixed components will be aligned.

Tip - Industry tolerance in the hardware will sometimes allow fine alignment to some partition components. These fine adjustments may be performed by loosening the hardware screws and adjusting the components the direction needed and retightening the screws.

Latch, Keeper, and Clothes Hook.

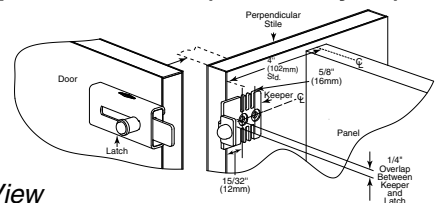
- Attach the latch track to the door using T-25 torx bit for latch screws. **NOTE: Latch track projects past edge of door and acts as doorstop.**
- Slide the stainless steel latch into the grooves on latch track. Center the latch on track. Insert a setscrew into the threaded hole in the bottom of track and tighten until flush with the bottom of latch.
- Attach the keeper (see Fig. 8a and 8b) and clothes hook using driver and #1002499 screws.

Fig. 8a: Right-Hand Inswing Door.



Inside View

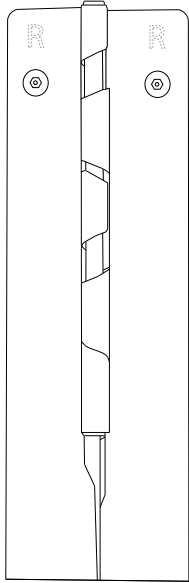
Fig. 8b: Inswing Door Keeper on Perpendicular Stile (Alcove Layout).



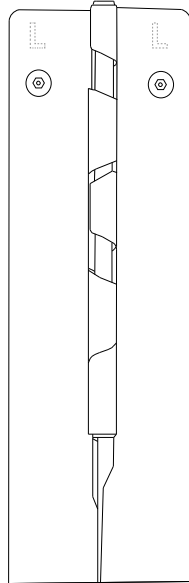
Inside View

STEP 8 INSTALL INSWING DOORS

Fig. 8: Orient Hinge



#1002921
Right-Hand Inswing or
Left-Hand Outswing

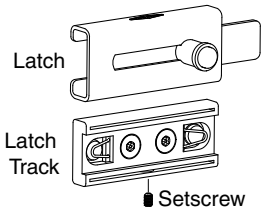


#1002920
Left-Hand Inswing or
Right-Hand Outswing



#1002491
1/4-20 x 1/2"
(M6-1 x 13mm)
Pin-Head Torx Screw

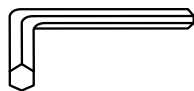
Latch



#1040-42
Latch Packet

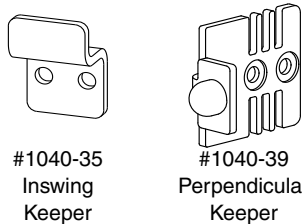


#1000077
1/4-20 x 1" (M6-1 x 25mm)
Flat-Head Latch Screw



#1000900 Packet
(5/64" Allen Wrench to
Setscrew to Latch)

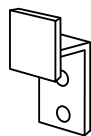
Keepers



#1040-35
Inswing
Keeper

#1040-39
Perpendicular
Keeper

Clothes Hook



#1000869
Hook



#1002499
#12 x 7/16" Pin-Head
Torx Screw
(M5.5 x 11mm)

DOOR HARDWARE INSTALLATION.

Hinge.

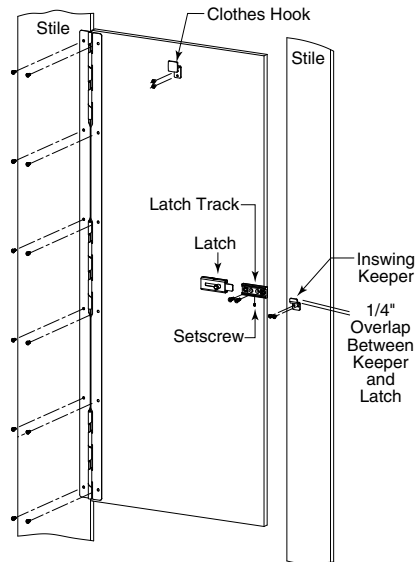
- Orient hinge (see Fig. 8).
- Fasten hinge to the door (see Fig. 8a) using 6 — #1002491 Pin-in-Head Torx Screws .
- Supporting door, fasten hinge to the stile.

Latch, Keeper and Clothes Hook.

- Attach the latch track to the door using T-25 torx bit for latch screws.
- Slide the stainless steel latch into the grooves on latch track. Center the latch on track. Insert a setscrew into the threaded hole in the bottom of track and tighten until flush with the bottom of latch.
- Attach the keeper and clothes hook using 2-#1002499 screws. Attach each stop plate using 2-#1002491 screws.

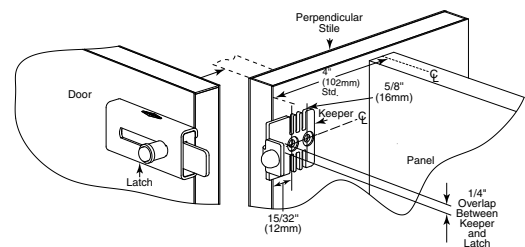
Inswing Keeper Detail

Fig. 8a :Right-Hand Inswing Door.



Inside View

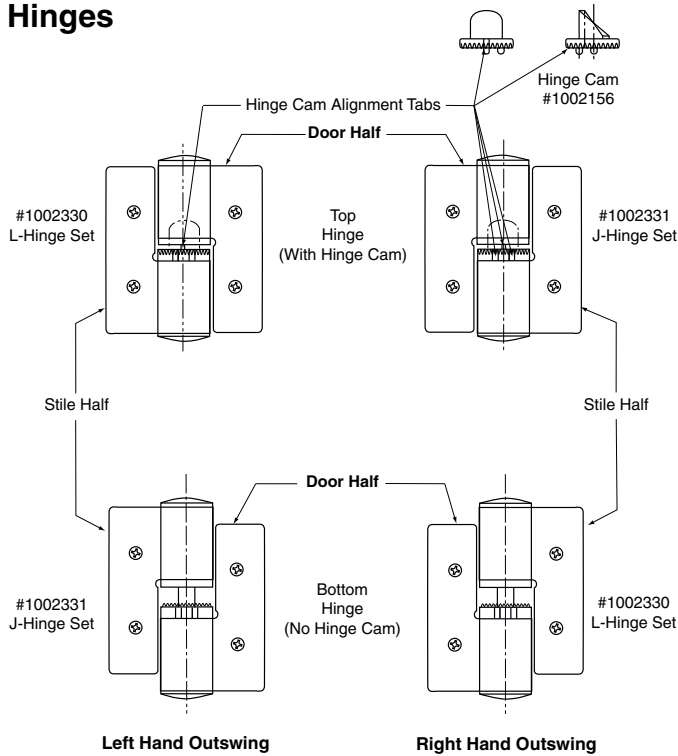
Fig. 8b: Inswing Door Keeper on Perpendicular Stile (Alcove Layout).



INSTITUTIONAL HARDWARE

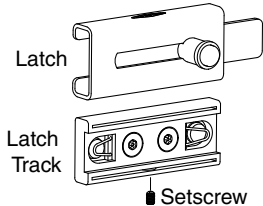
STEP 9 INSTALL OUTSWING DOORS

Hinges



#1002491
1/4-20 x 1/2"
(M6-1 x 13mm)
Pin-in-Head Torx Screw

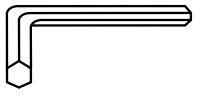
Latch



#1040-42
Latch Packet



#1000077
1/4-20 x 1" (M6-1 x 25mm)
Flat-Head Latch Screw

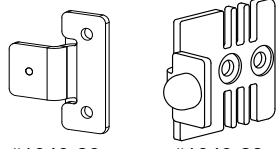


#1000900 Packet
(5/64" Allen Wrench to
Setscrew to Latch)



#1000418
Accessible Toilet
Compartment Label

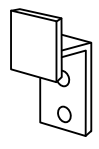
Keepers



#1040-36
Outswing
Keeper

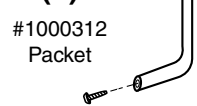
#1040-39
Perpendicular
Keeper

Clothes Hook



#1000869
Hook

Door Handle (2)



#1000312
Packet

#1002499
#12 x 7/16" Pin-Head Torx Screw
(M5.5 x 11mm)

DOOR HARDWARE INSTALLATION.

Hinge.

- Using hinge diagram at left, identify the upper and lower hinge set for right hand or left hand installation. Locate cam for upper hinge, part number #1002156.
- Separate hinge sets and fasten the (2) halves that have plastic bushings with "teeth" and cam alignment tabs onto stile using drivers and #1002491 (1/4-20 x 1/2") screws. Refer to diagram to ensure "J" and "L" halves are located properly.
- Fasten remaining upper hinge half to door.
- Insert (1) hinge pin and (1) #1002156 plastic cam on the upper stile hinge half.
- Lift door and position onto upper stile hinge halves. Door should be hanging securely on upper hinge.
- Insert remaining hinge pin in lower door hinge half and mount to door.
- When the cam has been set at the desired free resting position, "either closed or open" the top of the affixed components will be aligned.

Tip - Industry tolerance in the hardware will sometimes allow fine alignment to some partition components. These fine adjustments may be performed by loosening the hardware screws and adjusting the components the direction needed and retightening the screws.

To Increase or Decrease Opening of Door, see page 14. Latch, Keeper, Clothes Hook, and Door Handle.

- Attach the latch track to the door using T-25 torx bit for latch screws. **NOTE: Latch track does not project past edge of door.**
- Slide the stainless steel latch into the grooves on latch track. Center the latch on track. Insert a setscrew into the threaded hole in the bottom of track and tighten until flush with the bottom of latch.
- Install keeper (Fig. 9a) and clothes hook using #1002499 screws. **NOTE: On outswing door, position clothes hook per local accessible toilet compartment codes. For perpendicular alcove (Fig. 9b) set keeper in place ensuring latch slides properly, mark location and install using #1002499 screws.**
- Using the door handle as a template on the outside of door, mark location for top hole in handle 27" (685mm) up from the bottom of door and 3" (75mm) from the edge of door. Mark location for bottom hole in handle.
- Drill two (2) 3/16" (5mm) diameter holes through door. Attach handle to outside of door using 8-32 x 1" 0 Pin-in-Head torx screws.

Fig. 9a: Right-Hand Outswing Door.

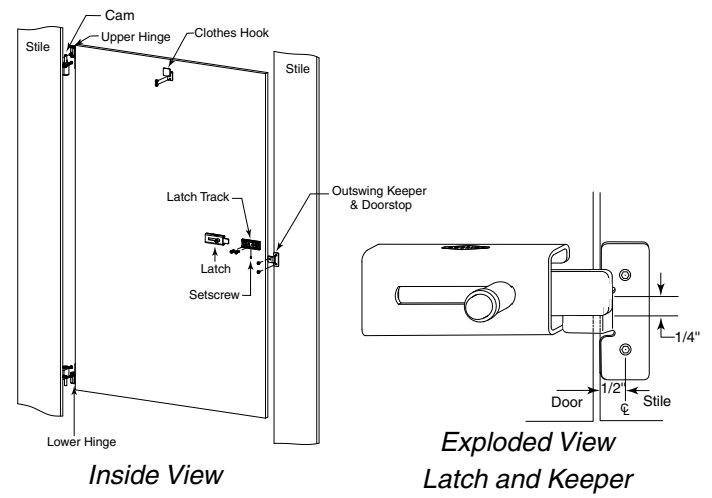
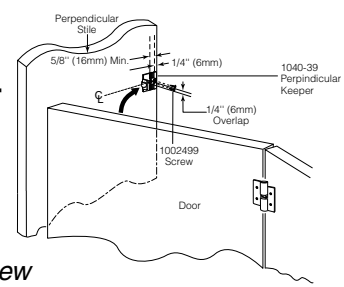


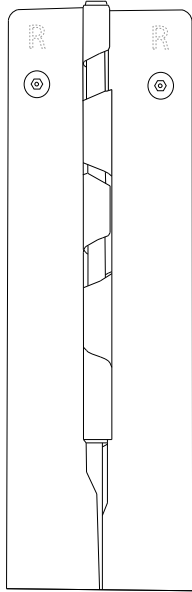
Fig. 9b: Outswing Door Keeper on Perpendicular Stile (Alcove Layout)



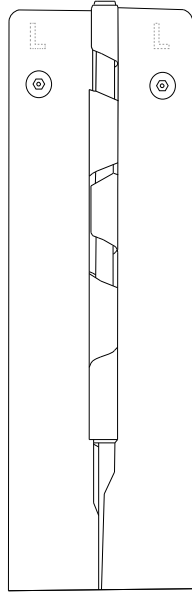
COMMERCIAL HARDWARE

STEP 9 INSTALL OUTSWING DOORS

Fig. 9: Orient Hinge



#1002921
Right-Hand Inswing or
Left-Hand Outswing

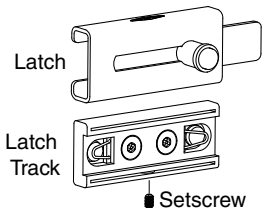


#1002920
Left-Hand Inswing or
Right-Hand Outswing



#1002491
(1/4-20 x 1/2")
Pin-in-Head Torx Screw

Latch



#1040-42
Latch Packet



#1000077
1/4-20 x 1" (M6-1 x25mm)
Flat-Head Latch Screw

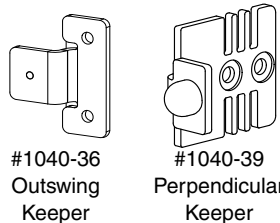


#1000900 Packet
(5/64" Allen Wrench to
Setscrew to Latch)



#1000418
Accessible Toilet
Compartment Label

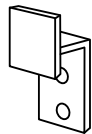
Keepers



#1040-36
Outswing
Keeper

#1040-39
Perpendicular
Keeper

Clothes Hook



#1000869
Hook

Door Handle (2)

#1000312
Packet



#1002499
#12 x 7/16" Pin-Head Torx Screw
(M5.5 x 11mm)

DOOR HARDWARE INSTALLATION. Hinge.

- Orient hinge (see Fig. 9).
- Fasten hinge to the door (see Fig. 9a) using 6 #1002491 Pin-in-Head Torx Screws.
- Supporting door, fasten hinge to the stile.

Latch, Keeper, Clothes Hook and Door Handle.

- Attach the latch track to the door using T-25 torx bit for latch screws. **NOTE: Latch track does not project past edge of door.**
- Slide the stainless steel latch into the grooves on latch track. Center the latch on track. Insert a setscrew into the threaded hole in the bottom of track and tighten until flush with the bottom of latch.
- Attach the keeper and clothes hook using 2-#1002499 screws. Attach each stop plate using 2-#1002491 screws.
- Using the door handle as a template on the outside of door, mark location for top hole in handle 27" (685mm) up from the bottom of door and 3" (75mm) from the edge of door. Mark location for bottom hole in handle.
- Drill two (2) 3/16" (5mm) diameter holes through door. Attach handle to outside of door using 8-32 x 1-1/4" Pin-in-Head torx screws.

Fig. 9a: Right-Hand Outswing Door.

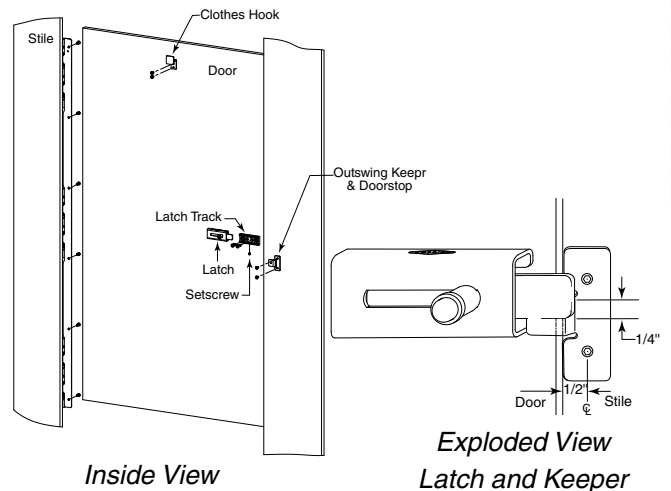
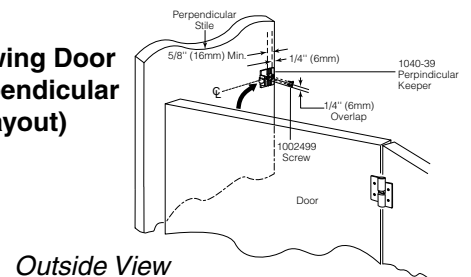


Fig. 9b: Outswing Door
Keeper on Perpendicular
Stile (Alcove Layout)



Inside View

INSTITUTIONAL HARDWARE

STEP 10 INSTALL SHOES

- A. Locate proper width shoe for stile.
- B. Confirm shoe retainer (#1002186) is installed on anchor bolt next to flat washer closest to floor or ceiling. For anchor assembly detail, reference diagram on Page 4 of complete installation instruction sheet.
- C. Shoes accommodate 1" thick or 3/4" thick stiles. For 3/4" thick stiles, orient shoe with 5/16" wide flange return against faces and edge of stile.

D⁽¹⁾. Standard Stile Installation - See Fig. 10a

Open end of shoe and slide onto bottom of stile, trapping bottom flange under shoe retainer.

Close open end of shoe, overlapping so holes are aligned. Install flat head retaining screw through double thickness of material to close shoe.

D⁽²⁾. Stile-to-Wall Installation - See Fig. 10b

Stile-to-wall shoe retaining clip (#1002185) is supplied with every stile-to-wall. Locate shoe retaining clip.

Hold retaining clip by its extended leaf with pliers. Spread shoe open at least one inch and insert retaining clip into hole on inner leaf of shoe until it snaps into place.

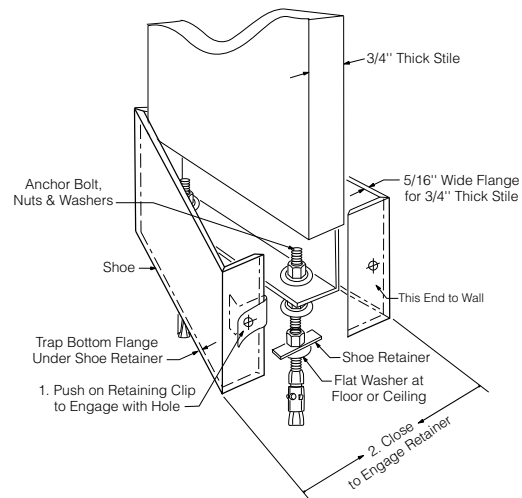
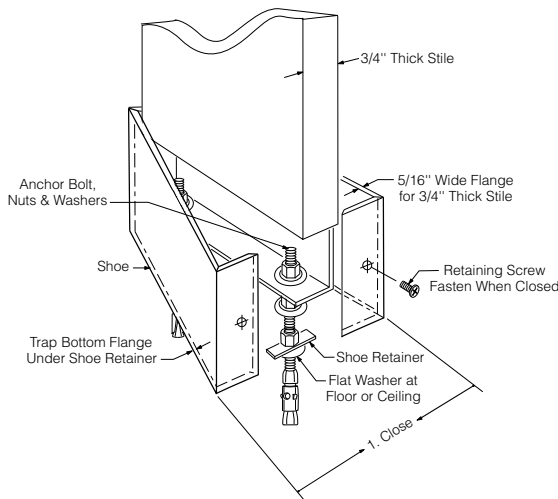
Open end of shoe and slide onto bottom of stile, trapping bottom flange under shoe retainer. Shoe retaining clip will be positioned against wall.

Close edges of shoe together until remaining hole snaps into place on retaining clip.

- E. Remove protective covering and wipe shoe clean.

Fig. 10a: Standard Stile Installation.

Fig. 10b: Stile-to-Wall Installation.



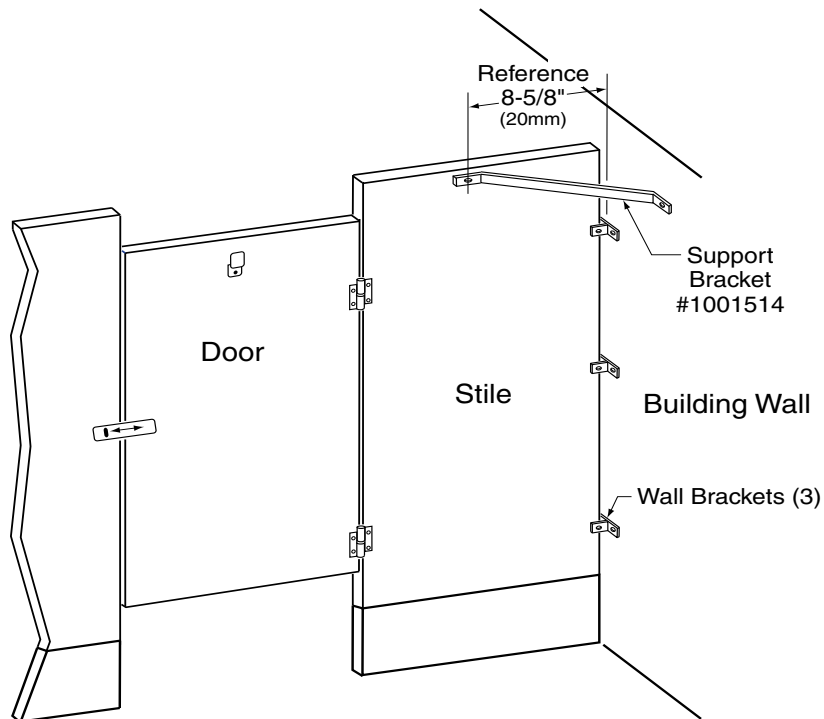
REPLACEMENT SHOE GUIDE

Stile Width	Bobrick Part Number
3"	#1002175
4"	#1002176
5"	#1002184
6"	#1002177
7"	#1002197
8"	#1002178
10"	#1002179
12"	#1002180
16"	#1002181
18"	#1002196
20"	#1002182
24"	#1002183

STEP 11 INSTALL SUPPORT BRACKET (IF APPLICABLE)

- A. 16", 18", 20" and 24" stiles attached to side wall or end panel will be supplied with a support bracket (#1001514) for added stability.
- B. Install bracket at highest point at top of stile for floor-anchored configurations. For ceiling-hung configuration, install bracket at lowest point on bottom of stile.
- C. Install bracket to stile #1002500 screw. Install bracket to wall using #1002495 screw to adequate backing.

Screw Into	Screw Number	Screw Size
Stile	#1002499	#12 x 7/16"
Wall	#1002495	#12 x 2"
Phenolic Panel	#1002499	#12 x 7/16"
Washer1000814	NA	



Note: For Ceiling-Hung system, support bracket at lowest point possible on stile.

STEP 12 FINISHING AND CLEANUP

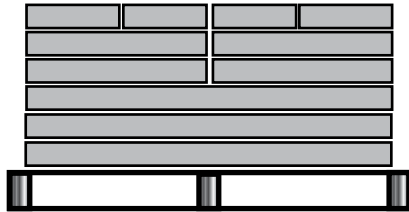
- A. Remove any exposed labels from the components of toilet compartments.
- B. Clean surfaces as needed. *CAUTION: Do not use cleaners containing acid on Bobrick toilet compartments. For example, tile cleaners containing acid may attack the stainless steel hardware. For Bobrick recommendations, refer to Bobrick Form No. TB-21 and TB-60.*

Important Toilet Partition Storage and Handling Information

Store in a clean, dry area. Do not store outside.
Move material to installation area 72 hours before installation.
Always store material flat with weight evenly supported.

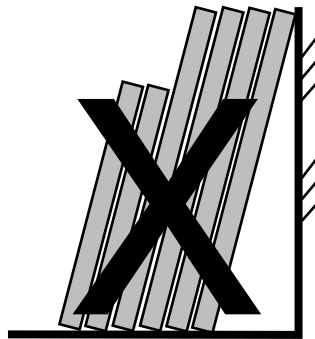
Toilet Partition Stacking

Do This



Stack Flat

Don't Do This



Stack Upright

Failure to follow these instructions may result in warped material which is not covered by Bobrick's warranty.



BUILDING VALUE SINCE 1906

BOBRICK.COM

In the U.S.A.: BOBRICK WASHROOM EQUIPMENT, INC.

Los Angeles: 6901 Tujunga Ave., North Hollywood, CA 91605-6213; Tel: (818) 982-9600, FAX: (818) 503-1102

New York: 200 Commerce Drive, Clifton Park, NY 12065-1350; Tel: (518) 877-7444, FAX: (518) 877-5029,
or e-mail: customerservice@bobrick.com

In Canada: BOBRICK WASHROOM EQUIPMENT COMPANY

45 Rolark Drive, Scarborough, Ontario M1R 3B1

Eastern Canada Tel: (877) 423-6555, Fax: 877-423-8555; Western Canada Tel: (877) 423-6444, Fax: 877-423-8444,
or e-mail customerservice@bobrick.com

1080-69



7 16954 00911 1